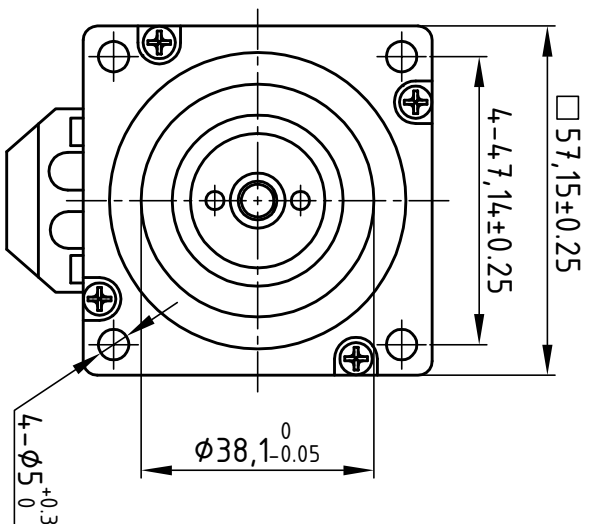


Dimension: (Unit: mm)



**Common Rating**

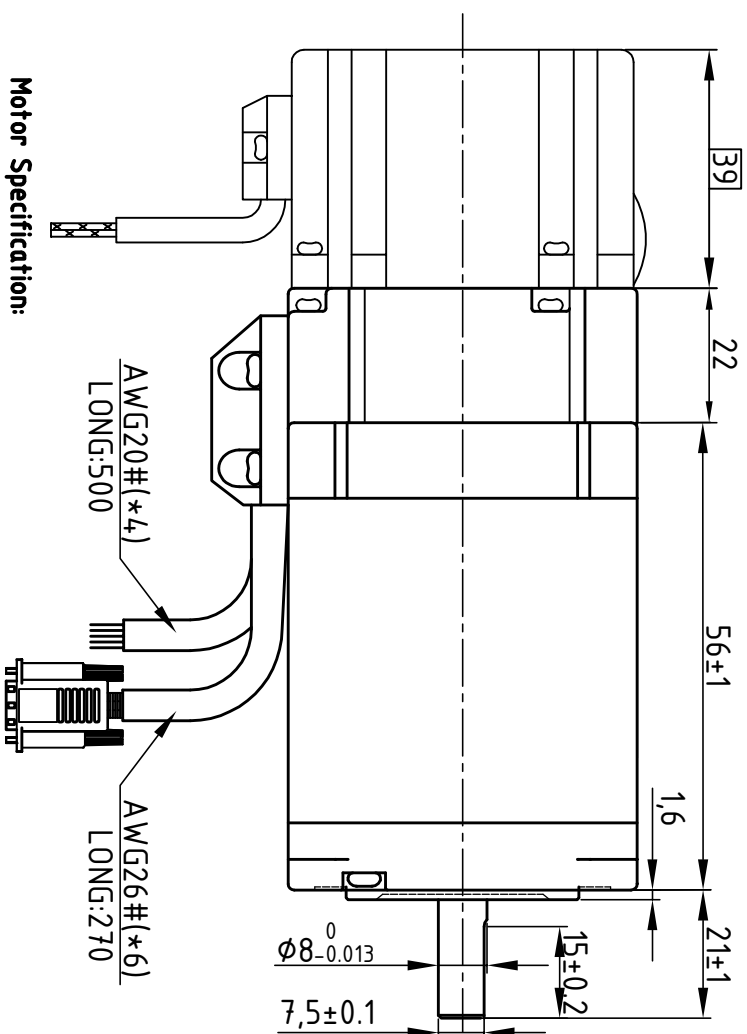
|                       |                         |
|-----------------------|-------------------------|
| Step angle            | 1.8°                    |
| Position accuracy     | 1.8±0.09°               |
| Dielectric strength   | 500VAC 1min             |
| Insulation resistance | 100MΩhm(500VDC)         |
| Insulation class      | B                       |
| Temp rise(Max)        | 80K                     |
| Radial play           | Max: 0.02mm(load 4.50g) |
| Axial play            | Max: 0.08mm(load 900g)  |

**Brake Specification:**

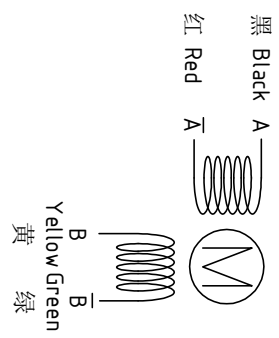
|                 |       |
|-----------------|-------|
| Voltage         | 24Vdc |
| Friction torque | 2N·M  |

**Motor Specification:**

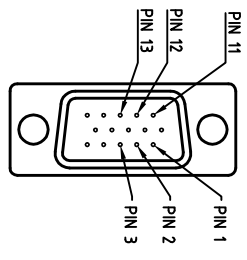
|                          |                         |
|--------------------------|-------------------------|
| Current/phase            | 4 A                     |
| Voltage                  | 24 V                    |
| DC Resistance/phase ±10% | 0.45 Ω                  |
| Inductance/phase ±20%    | 1.4 mH                  |
| Holding torque           | 1.2 N·M                 |
| Inertia                  | 0.28 kg·cm <sup>2</sup> |
| Weight                   | 1.5 kg                  |
| Encoder Resolution       | 1000 cpr                |



**Motor Connections:**

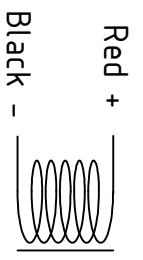


**Encoder Signals**



|     |    |     |     |    |    |    |
|-----|----|-----|-----|----|----|----|
| PIN | 1  | 2   | 3   | 11 | 12 | 13 |
| 颜色  | 黑  | 红   | 白   | 黄  | 绿  | 蓝  |
| 定义  | A+ | VCC | GND | B+ | B- | A- |

**Brake Connections**



|  |     |             |            |                                 |  |
|--|-----|-------------|------------|---------------------------------|--|
| 设计<br>Designed   | 王洪松 | 日期<br>Date  | 2018.11.27 | 材料<br>Material                  |  |
| 审核<br>Checked  | 黄捷建 | 2018.11.27  |            | 第一角画法<br>First angle projection |  |
| 批准<br>Approved   | 黄捷建 | 2018.11.27  |            | 重量/比例<br>Weight/Scale           |  |
| 图号<br>Part No.   |     |             |            | 共 1 套 第 1 套<br>Sheet 1 of 1     |  |
| 深圳市雷赛智能控制股份有限公司<br>SHENZHEN LEADSHINE TECHNOLOGY CO., LTD. |     | 图例<br>Title |            | 57CME12X-BZ                     |  |
|  |     |             |            | LS-CME57-02-0111-08             |  |