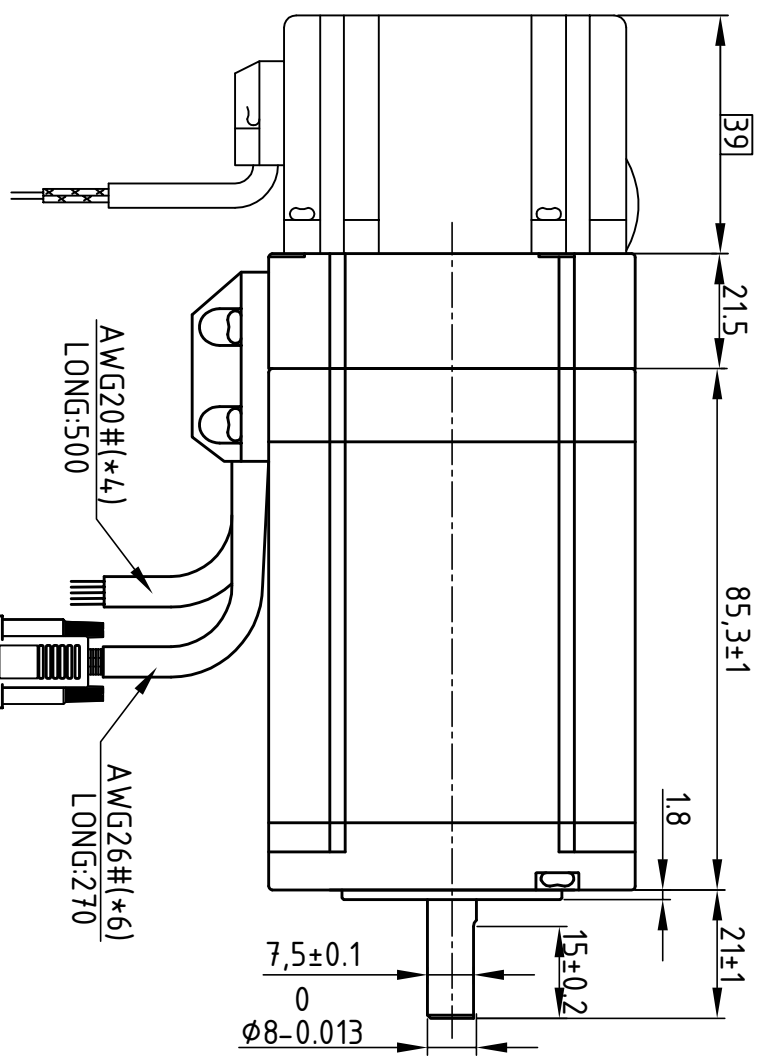
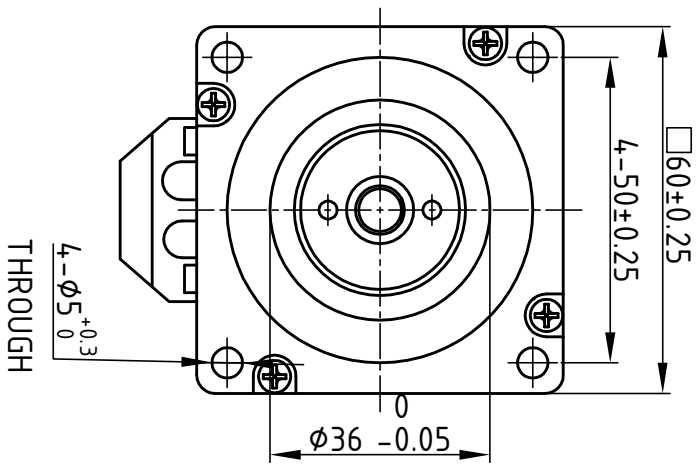
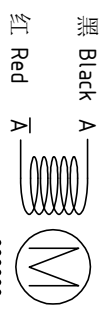


Dimension: (Unit: mm)

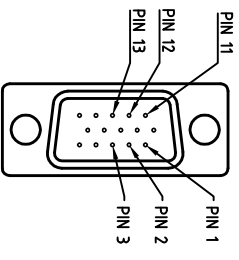


|         |          |               |               |       |
|---------|----------|---------------|---------------|-------|
| 版本 Rev: | 日期 Date  | 变更文件号 ECU NO. | 变更内容 Revision | 设计 By |
| V1.0    | 18.10.19 |               | 李树刚           | 王桂林   |

Motor Connections:



Encoder Signals



Common Rating

|                       |                        |
|-----------------------|------------------------|
| Step angle            | 1.8°                   |
| Position accuracy     | 1.8±0.09°              |
| Dielectric strength   | 500VAC 1min            |
| Insulation resistance | 100MΩhm(500VDC)        |
| Insulation class      | B                      |
| Temp rise(Max)        | 80K                    |
| Radial play           | Max:0.02mm(load 4.50g) |
| Axial play            | Max:0.08mm(load 900g)  |

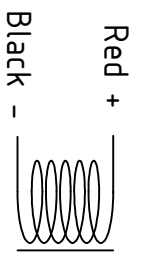
Brake Specification:

|                 |       |
|-----------------|-------|
| Voltage         | 24Vdc |
| Friction torque | 2N·M  |

Motor Specification:

|                          |                         |
|--------------------------|-------------------------|
| Current/phase            | 5 A                     |
| Voltage                  | 2.3 V                   |
| DC Resistance/phase ±10% | 0.46 Ω                  |
| Inductance/phase ±20%    | 2.0mH                   |
| Holding torque           | 3.0N·M                  |
| Inertia                  | 0.69 kg·cm <sup>2</sup> |
| Weight                   | 1.8 kg                  |
| Encoder Resolution       | 1000 cpr                |

Brake Connections



|     |    |     |     |    |    |    |
|-----|----|-----|-----|----|----|----|
| PIN | 1  | 2   | 3   | 11 | 12 | 13 |
| 颜色  | 黑  | 红   | 白   | 黄  | 绿  | 蓝  |
| 定义  | A+ | VCC | GND | B+ | B- | A- |

|             |              |             |              |                              |  |
|-------------|--------------|-------------|--------------|------------------------------|--|
| 设计 Designed | 王湾松          | 日期 Date     | 2018.10.19   | 材料 Material                  |  |
| 审核 Checked  | 李树刚          |             | 2018.10.19   | 第一角投影 First Angle projection |  |
| 批准 Approved | 李树刚          |             | 2018.10.19   | 版本/版次 Version/Scale          | A/01   |
| 零件 Part No. | LS-MT-01-07A | 共 1 套 第 1 套 | Sheet 1 of 1 | 图例 Title                     | 深圳市雷赛智能控制股份有限公司<br>SHENZHEN LEADSHINE TECHNOLOGY CO., LTD.<br>带抱闸混合伺服电机<br>60CME30X-BZ |
|             |              |             |              | 图号 DWG. NO.                  | LS-60CME30X-BZ   |